

Hunter Universal Fan & Light Remote Control Models 27224, 27210

Ratings: 120 VAC, 60 Hz, 1.0 Amp Fan Receiver Weight: 6 oz.
300 Watts incandescent light

Read and Save these Instructions

Caution: Risk of Electrical Shock!

All wiring must be performed in accordance with national and local electrical codes. If you are unfamiliar with the wiring codes, you should use a qualified electrician.

To avoid overheating and possible damage to other equipment, do not install to control a receptacle, fluorescent light fixture, motor operated appliance, or transformer-supplied appliance. Use only to control one paddle-blade ceiling fan and incandescent light fixture.

Notes:

- This device complies with Part 15 of the FCC Rules. Operation is subject to the following two conditions: (1) this device may not cause harmful interference, and (2) this device must accept any interference received, including interference that may cause undesired operation.
- Industry Canada: Operation is subject to the following two conditions: (1) this device may not cause interference, and (2) this device must accept any interference, including interference that may cause undesired operation of the device.
- This equipment has been tested and found to comply with the limits for a Class B digital device, pursuant to Part 15 of the FCC Rules. These limits are designed to provide reasonable protection against harmful interference in a residential installation. This equipment generates, uses and can radiate radio frequency energy and, if not installed and used in accordance with the instructions, may cause harmful interference to radio communications. However, there is no guarantee that interference will not occur in a particular installation. If this equipment does cause harmful interference to radio or television reception, which can be determined by turning the equipment off and on, the user is encouraged to try to correct the interference by one or more of the following measures:
 - Reorient or relocate the receiving antenna.
 - Increase the separation between the equipment and receiver.
 - Connect the equipment into an outlet on a circuit different from that to which the receiver is connected.
 - Consult the dealer or an experienced radio/TV technician for help.
- In the case of a power outage, the fan and light connected to this remote will turn off and remain off after the power resumes.
- For use only with electrically reversible ceiling fans rated at 1.0 amp or less, and fan incandescent light kits rated at 300 watts or less.
- Not for use with shaded-pole motors. Not recommended for use with the Hunter Original®. For Hunter Original® series fans, use Hunter control model numbers 27187, 22691, or 27189.

- Medium and Low fan speeds are determined by the control and thus may vary from the factory settings due to normal motor variations.
- For use with Hunter Hanging systems (excludes Hunter Original) on angled ceilings up to 34 degree pitch ceilings.
- Not for use in applications where the fan does not have a wall switch

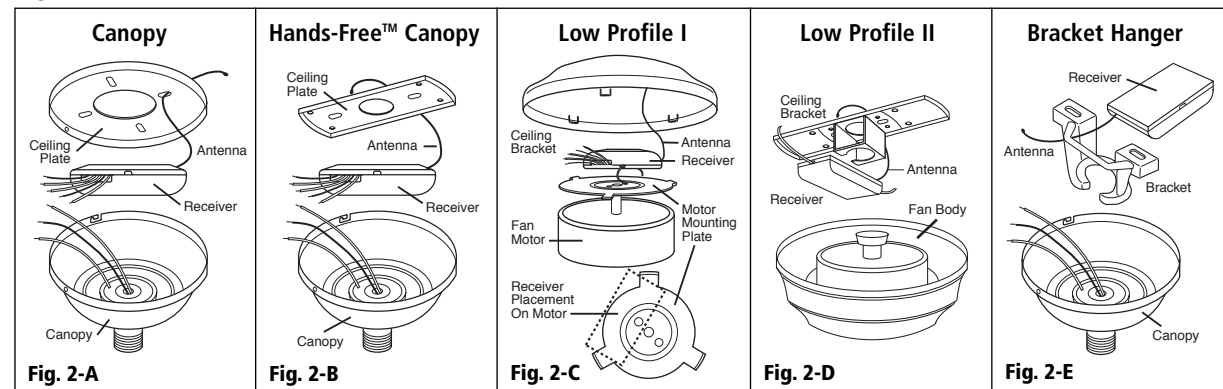
Any changes or modifications to this equipment not expressly approved by Hunter Fan Company will void the user's authority to operate the equipment.

Before Installing the Control:

1. Use the pull chain switch to set the fan speed to the HIGH position before installation. Do not use the pull chain to change the fan speed after installation, as damage to your ceiling fan or universal control may result. The speed of the fan should only be changed by the Hunter control.

2. Set the ceiling fan light kit to the ON position before installa-

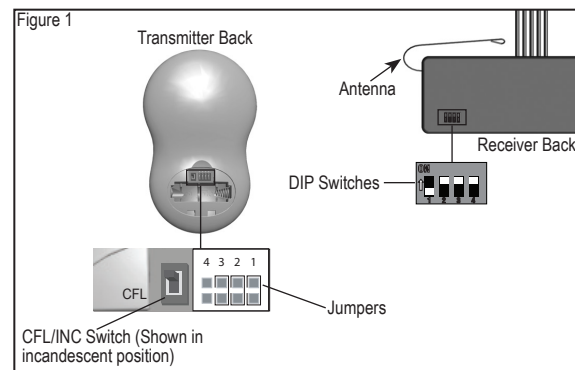
Figure 2



tion. The light level should only be changed by the Hunter control.

Receiver Installation:

- Disconnect power to the ceiling fan and light kit at the main electrical panel. Remove fuse or move circuit breaker to the OFF position.
- IMPORTANT! Before installing this control, Change the position of the jumpers in the transmitter and the DIP switches in the receiver. Be sure the position of the jumper in the transmitter matches the position of the DIP switches in the receiver. If they don't match, the controller will not function. Select different combinations of settings to prevent misoperation due to other remote control fans.
- IMPORTANT! If your ceiling fan light kit is using incandescent bulbs, then slide the CFL / INC switch to the INC position. Refer to Figure 1. If your ceiling fan light kit is using compact fluorescent light bulbs (CFL), then slide the CFL / INC switch to the CFL position. NOTE: When the switch is in the CFL position, the dimming feature is disabled, and you will not be able to dim the light bulbs. This feature is to protect both your bulbs and your receiver as CFL bulbs are not able to dim and will malfunction if dimming is attempted.
- Determine your ceiling fan mounting type (Figure 2). Most installations will be one of these four types: Canopy Hanger, Hunter Hands-Free™ Canopy, Low Profile Styles I and II, or Bracket Hanger.
- Install the ceiling fan according to its instructions, up to the point of making the electrical connections. Connect receiver to ceiling fan according to the mounting type as instructed in Figure 2.
- If the fan is already installed, turn the power OFF at the main electrical panel. Reverse the installation procedure according to the fan instructions, to the point of disconnecting the fan wiring. Connect the receiver to the ceiling fan according to the mounting type as instructed in Figure 2.



7. Use the 2 large wire connectors supplied to connect the receiver and house wiring, then use the 3 small wire nuts supplied to connect the receiver and ceiling fan wiring. Refer to the Wiring Diagram in Figure 3.

8. Be sure the antenna is positioned securely, so it can not interfere with the ceiling fan motor. Refer to Figure 2. Do not modify or damage the antenna wire, as control performance may be reduced. After securing the receiver, antenna, and wiring, finish hanging the ceiling fan according to its instructions.

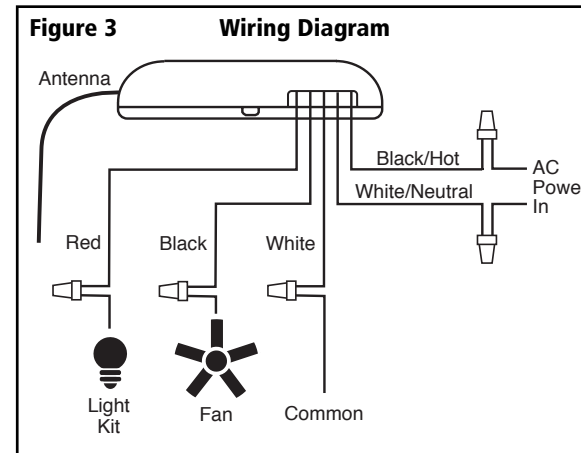
9. Restore power at main electrical panel.

Transmitter Installation:

- Install the 12 volt alkaline battery (A23 or equivalent) inside the hand-held transmitter, after setting the dip switches to match the dip switches in the receiver.
- Mount the remote holder over the ceiling fan's wall switch using the existing wall plate screws. Refer to Figure 4.
- The transmitter can be placed on the remote holder for convenience or safekeeping.

Fan Installation Types:

NOTE: Some fans may have considerable excess lead wire. For easier canopy installation, cut the excess wire leaving a minimum of 6 inches remaining. Restrip the fan lead wires 1/2 inch. Place remaining excess wire into the ceiling electrical box as needed.



Canopy Hanger (Fig. 2-A): Place receiver in canopy. Connect wiring as shown in Fig. 3. Extend antenna through one of the ceiling plate openings (approximately 3-6").

Hunter Hands-Free™ Canopy (Fig. 2-B): Connect wiring as shown in Figure 3. Place receiver inside mounting bracket. Extend antenna above the ceiling mounting bracket (approximately 3-6").

Low Profile Style I (Fig. 2-C): Secure receiver to the fan plate above the motor with UL listed cable ties (not included). Connect wiring as shown in Figure 3. Extend antenna through one of the ceiling plate openings (approximately 3-6").

Low Profile Style II (Fig. 2-D): Secure receiver to the ceiling mounting bracket with UL listed cable ties (not included). Connect wiring as shown in Figure 3. Extend antenna above the ceiling mounting bracket (approximately 3-6").

Bracket Hanger (Fig. 2-E): Starting with the antenna wire, slide receiver inside mounting bracket. If a ground wire mounting screw prevents the receiver from sliding into the bracket, move ground wire and screw to an unused hole at the top of the bracket or secure with a canopy mounting screw. The bracket must remain properly grounded. Connect wiring as shown in Figure 3. Extend antenna above the receiver (approximately 5-8").

Cable Tie Routing for Low Profile Fans (Figs. 2-C, 2-D): Insert cable tie through openings as shown. DO NOT insert the cable tie through the inside of the receiver. The cable tie can be placed across the length or width of the receiver to best match your fan installation type.



TROUBLESHOOTING

Symptom	Possible Causes	Solution
1. No functions operate.	Main Power not restored.	Replace fuse. Turn ON circuit breaker. Turn ON wall switch.
	Fan pull chain not set to High.	Set fan pull chain to High speed.
	Light pull chain not set to ON.	Set light kit to ON.
	Receiver wiring incorrect.	Verify wiring connections.
	Transmitter and receiver dip switches do not match.	Set transmitter and receiver to same dip switch setting.
2. Operates only at close range.	Battery too weak.	Replace with new, 12 volt alkaline battery.
	Signal blocked from reaching receiver.	Extend antenna into ceiling box, or move it for better reception.
3. Inconsistent operation.	Battery too weak.	Replace with new, 12 volt alkaline battery.
	Signal partially blocked from reaching receiver.	Extend antenna into ceiling box, or move it for better reception.
	RF interference.	Turn OFF wall switch for 5 seconds, then turn back ON.
	Continuing RF interference.	Change dip switch settings to a different code in both Transmitter and Receiver.

HUNTER FAN COMPANY CONTROL LIMITED WARRANTY

The Hunter Fan Company makes the following limited warranty to the original purchaser of the Control ("Control"): Your Control is warranted to be free from defects in material and workmanship for a period of one year from the date of sale. If the Control malfunctions or fails within the warranty period due to a defect in material or workmanship we will replace it free of charge. IF THE ORIGINAL PURCHASER CEASES TO OWN THE CONTROL, THIS WARRANTY AND ANY IMPLIED WARRANTY, INCLUDING BUT NOT LIMITED TO ANY IMPLIED WARRANTY OF MERCHANTABILITY OR FITNESS FOR A PARTICULAR PURPOSE, ARE VOIDED. THIS WARRANTY IS IN LIEU OF ALL OTHER EXPRESS WARRANTIES. THE DURATION OF ANY IMPLIED WARRANTY, INCLUDING, BUT NOT LIMITED TO, ANY IMPLIED WARRANTY OF MERCHANTABILITY OR FITNESS FOR A PARTICULAR PURPOSE, IN RESPECT TO ANY CONTROL, IS EXPRESSLY LIMITED TO THE PERIOD OF THE EXPRESS WARRANTY SET FORTH ABOVE FOR SUCH CONTROL. This warranty excludes malfunctions or failures which were caused by repairs by persons not authorized by us, mishandling, improper installation, modifications, or damage to the Control while in your possession, or unreasonable use. This warranty does not apply to batteries or to deterioration or damage to the product caused by the use of faulty batteries. To obtain a replacement, return your Control postage prepaid along with proof of purchase to Hunter Fan Company Service Department at 7130 Goodlett Farms Pkwy, #400, Memphis, Tennessee 38016. IN NO EVENT SHALL HUNTER FAN COMPANY BE LIABLE FOR CONSEQUENTIAL OR INCIDENTAL DAMAGES. SOME STATES DO NOT ALLOW LIMITATIONS ON HOW LONG AN IMPLIED WARRANTY LASTS OR THE EXCLUSION OR LIMITATIONS OF INCIDENTAL OR CONSEQUENTIAL DAMAGES SO THE ABOVE LIMITATIONS OR EXCLUSIONS MAY NOT APPLY TO YOU. THIS WARRANTY GIVES YOU SPECIFIC LEGAL RIGHTS AND YOU MAY ALSO HAVE OTHER RIGHTS WHICH VARY FROM STATE TO STATE.